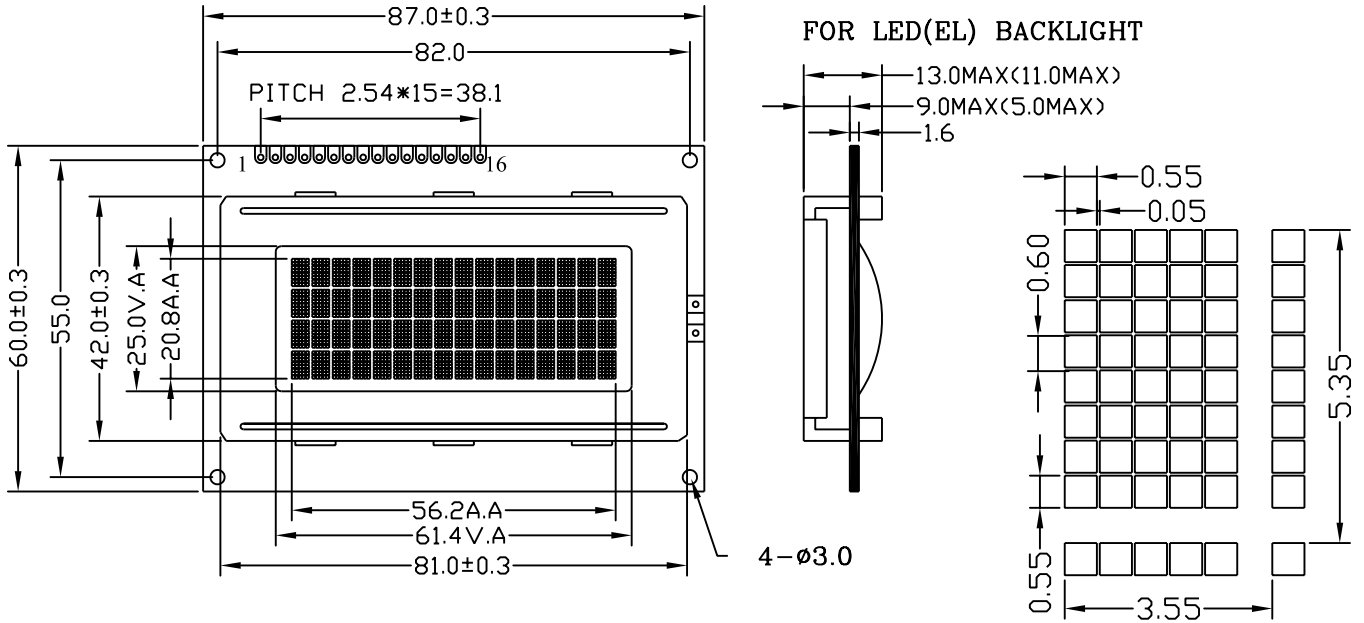


YXD-1604A

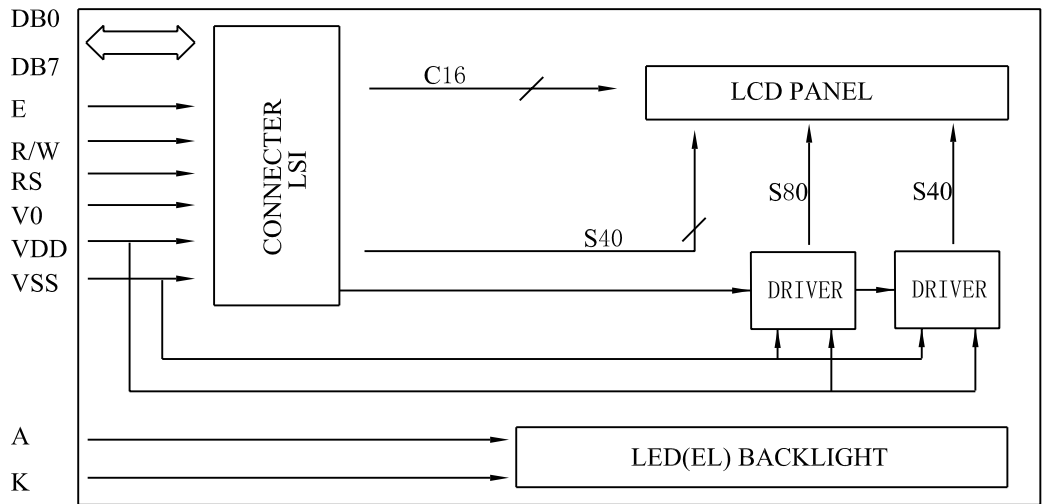
16CHAR X 4LINE STN

1/32 DUTY, 1/4BIAS

EXTERNAL DIMENSIONS



BLOCK DIAGRAM



PIN CONFIGURATION

1	2	3	4	5	6	7	8	9	10	11	12	13	14	15	16
VSS	VDD	V0	RS	R/W	E	DB0	DB1	DB2	DB3	DB4	DB5	DB6	DB7	K	A

MECHANICAL DATA		
ITEM	SPECIFICATION	UNIT
Module Size (W×H×D)	87.0 × 60.0 × 13.0	mm
Viewing Area (W×H)	61.4 × 25.0	mm
Character Font (W×H)	5 × 8	dots
Character Size (W×H)	2.95 × 4.75	mm
Character Pitch (W×H)	3.55 × 5.35	mm
Dot Size (W×H)	0.55 × 0.55	mm

ABSOLUTE MAXIMUM RATINGS				
ITEM	SYMBOL	MIN	MAX	UNIT
Supply Voltage Logic	Vdd-Vss	-0.3	7.0	V
Supply Voltage Driver	Vdd-V0	-0.3	13.5	V
Input Voltage	Vi	VSS	VDD	V
Operating Temperature	Ta	-10	60	°C
Storage Temperature	Tstg	-20	70	°C