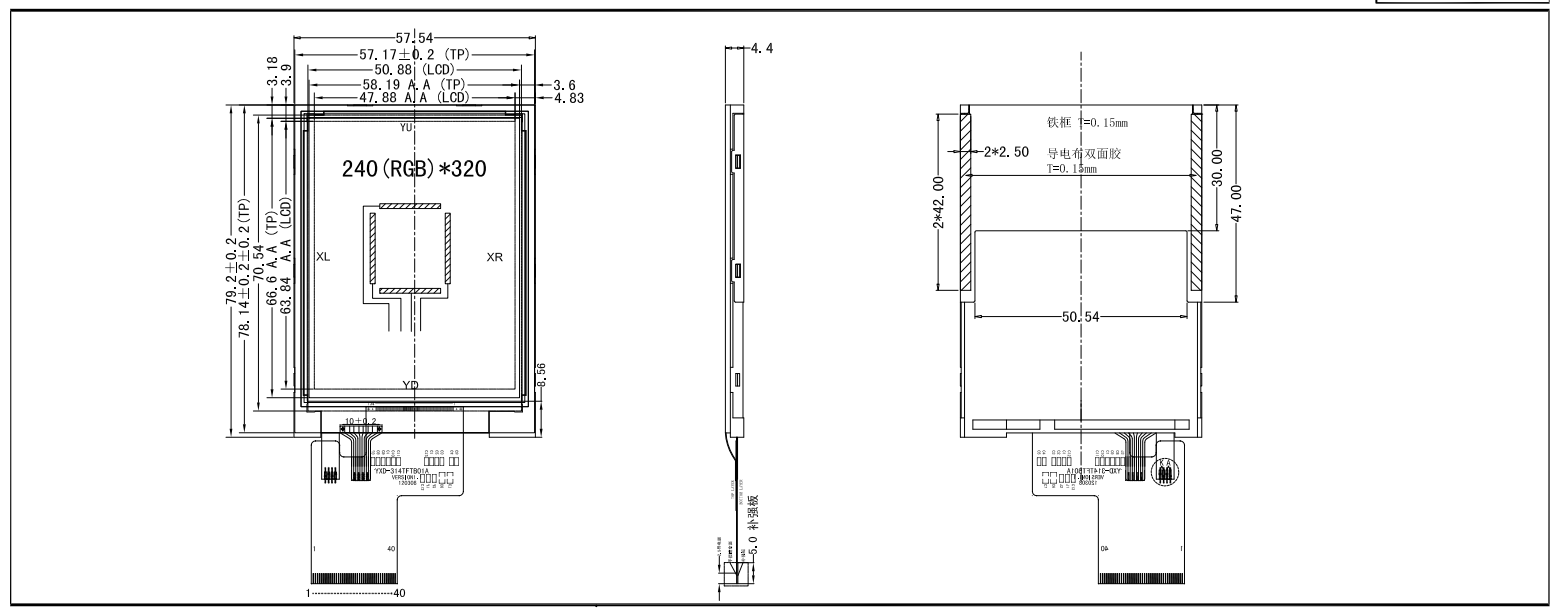
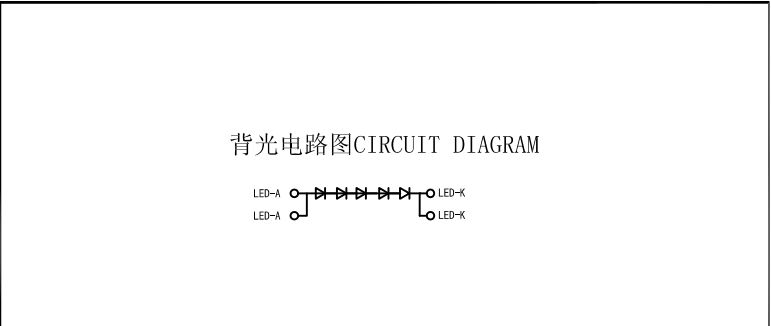
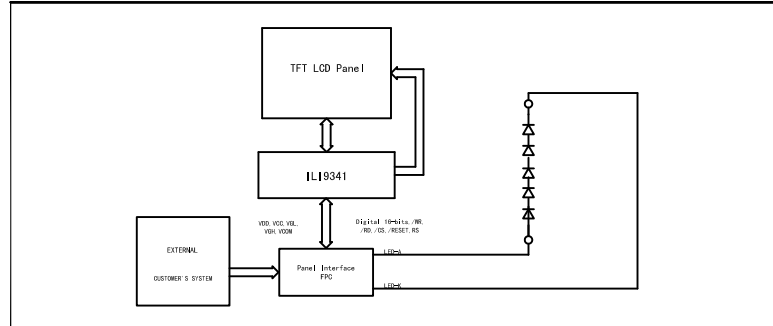


1.0 DIMENSIONAL DRAWING



2.0 BLOCK DIAGRAM & POWER SUPPLY



3.0 MECHANICAL SPECIFICATIONS & FEATURE

Item	Nominal Dimensions (mm)	Feature	
		Active Screen Size	3.14" Diagonal
Module Size (W*H*T)	57.54 × 79.2 × 4.4	Resolution	240 (RGB) × 320
Active Area (W*H)	47.88 × 63.84	View Angle	12 0' c'clock
Dot × Dot (W*H)	240 (RGB) × 320	Pixel Driving Element	α-si TFT
Dot Pitch (W*H)	---	Pixel Arrangement	RGB Vertical Stripe
Pixel Size (W*H)	0.1995 × 0.1995	Driving IC	IL19341
---	---	Operating Temperature	-20° C to +70° C
---	---	Storage Temperature	-30° C to +80° C

4.0 ELECTRICAL CHARACTERISTICS

Item	Symbol	Test Condition	Min.	Typ.	Max.	Unit
Supply Voltage	VDDI (10VCC)	Based On IL19341 Ta=25° C	1.65	---	3.3	V
Analog Supply Voltage	VCI	Based On IL19341 Ta=25° C	2.5	---	4.8	V
Supply Voltage & Analog Supply Voltage	VDDI (10VCC) & VCI	Based On IL19341 Ta=25° C	2.5	---	3.3	V
TFT Gate ON Voltage	VGH	Based On IL19341 Ta=25° C	9.0	15.0	16.5	V
TFT Gate Off Voltage	VGL	Based On IL19341 Ta=25° C	-6.0	-10.0	-13.5	V
TFT Common Electrode Voltage	VcomH	Based On IL19341 Ta=25° C	2.5	---	5.8	V
	VcomL	Based On IL19341 Ta=25° C	-2.5	---	0	V

5.0 INTERFACE PIN CONNECTIONS

Pin No.	Symbol	Level	Description
1	LED-A	16.0V (Type)	LED Backlight Anode Input Terminal
2	VCI	2.5V-3.3V	LCM Power Supply
3	NC	---	Not Connected
4	YU	---	Touch Panel Y+ Input Terminal
5	XR	---	Touch Panel X+ Input Terminal
6	YD	---	Touch Panel Y- Input Terminal
7	XL	---	Touch Panel X- Input Terminal
8	/RD	L	LCM Read Signal Input Terminal
9	/WR	L	LCM Write Signal Input Terminal
10	RS	H/L	LCM Data/Command Selection Terminal
11	/RES	H→L, H	LCM reset pin. internal pull high. connected to VDD when not used
12	CS	L	LCM selection pin for serial interface; internal pull high
13-28	DB1-DB8, DB10-DB17	---	Data Bus DB1-DB8, DB10-DB17 Input Terminal
29-30	NC	---	Not Connected
31-32	VSS	0V	LCM Power Supply Ground Input Terminal
33-39	NC	---	Not Connected
40	LED-K	0V	LED Backlight Cathode Input Terminal

NOTE: NO