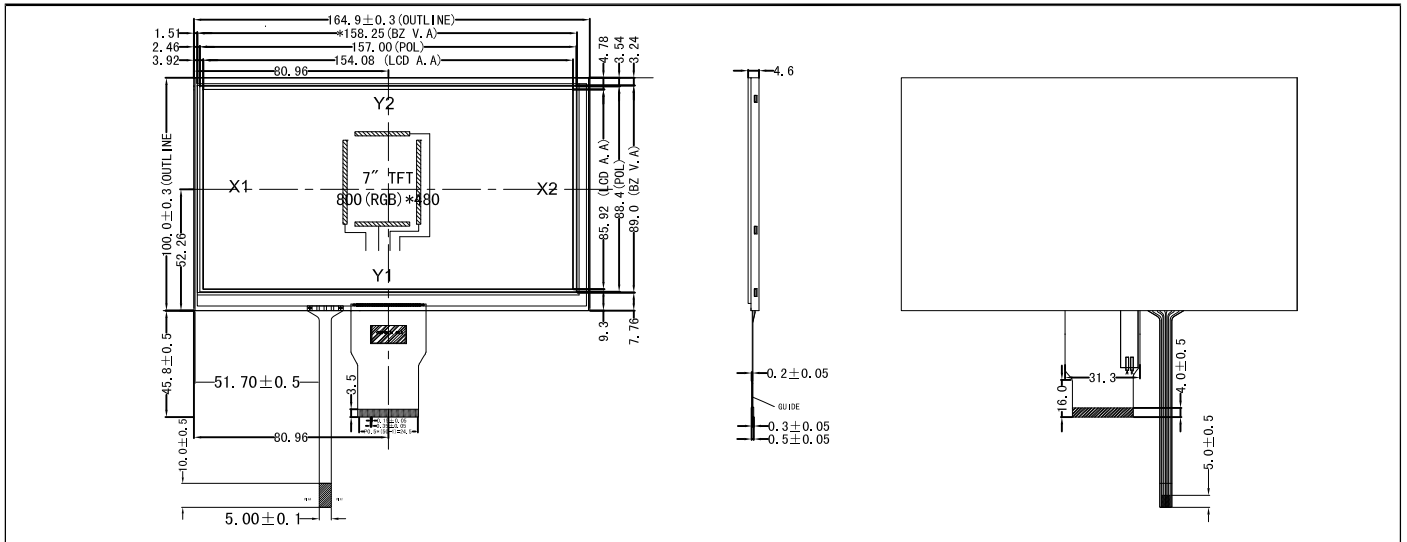
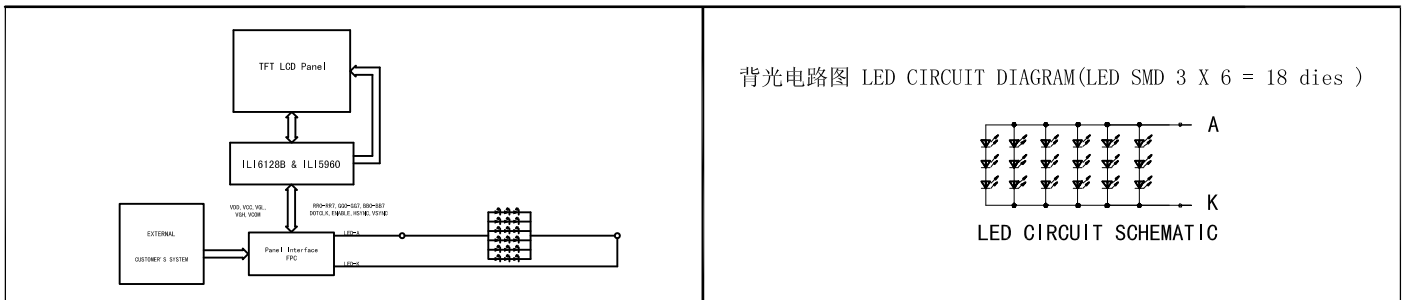


1.0 DIMENSIONAL DRAWING



2.0 BLOCK DIAGRAM & POWER SUPPLY



3.0 MECHANICAL SPECIFICATIONS & FEATURE

Item	Nominal Dimensions (mm)	Feature	
		Active Screen Size	7" Diagonal
Module Size (W*H*T)	164.9 × 100.0 × 4.6	Resolution	800 (RGB) × 480
Active Area (W*H)	158.25 × 89.0	View Angle	6 0' clock
Dot × Dot (W*H)	---	Pixel Driving Element	Normal White TN
Dot Pitch (W*H)	---	Pixel Arrangement	RGB Vertical Stripe
Pixel Size (W*H)	---	Driving IC	ILI16128B
---	---	Operating Temperature	-20° C to +70° C
---	---	Storage Temperature	-30° C to +80° C

4.0 ELECTRICAL CHARACTERISTICS

Item	Symbol	Test Condition	Min.	Typ.	Max.	Unit
Supply Voltage	IOVCC	Based On ILI16128B Ta=25° C	1.8	---	VCI	V
Analog Supply Voltage	VCI	Based On ILI16128B Ta=25° C	2.25	---	3.6	V
Supply Voltage & Analog Supply Voltage	IOVCC&VCI	Based On ILI16128B Ta=25° C	2.25	---	VDD	V
TFT Gate ON Voltage	VGH	Based On ILI16128B Ta=25° C	20.7	21.0	21.3	V
TFT Gate Off Voltage	VGL	Based On ILI16128B Ta=25° C	-8.3	-7.8	-7.5	V
TFT Common Electrode Voltage	VCOM	Based On ILI16128B Ta=25° C	2.6	---	3.0	V
	---	---	---	---	---	---

5.0 INTERFACE PIN CONNECTIONS

Pin No.	Symbol	Level	Description
1-2	LED-A	9.6V (TYPE)	LED Backlight Anode Input Terminal
3-4	LED-K	0V	LED Backlight Cathode Input Terminal
5	VSS	0V	LCM Power Supply Ground Input Terminal
6	VCOM	P	TFT Common Electrode Voltage Input Terminal
7	IOVCC&VCI	2.25V-3.6V	LCM Power Supply (Analog Circuit&Logic Circuit)
8	MODE	I	DE MODE/SYNC MODE Selection Terminal
9	Enable	I	LCM Data Enable Signal Input Terminal
10	VSYNC	I	LCM Vertical Sync. Signal Input Terminal
11	HSYNC	I	LCM Horizontal Sync. Signal Input Terminal
12-19	BB7-BB0	I/O	Data Bus BB7-BB0 Input Terminal
20-27	GG7-GG0	I/O	Data Bus GG7-GG0 Input Terminal
28-35	RR7-RR0	I/O	Data Bus RR7-RR0 Input Terminal
36	VSS	0V	LCM Power Supply Ground Input Terminal
37	DOTCLK	I	LCM Pixel Clock Signal Input Terminal
38	VSS	0V	LCM Power Supply Ground Input Terminal
39	L/R	I	Source Shift (Left/Right) Control Signal Input Terminal
40	U/D	I	Gate Shift (Up/Down) Control Signal Input Terminal
41	VGH	P	TFT Gate On Voltage Input Terminal
42	VGL	P	TFT Gate Off Voltage Input Terminal
43	AVDD	P	Power For Analog Voltage Input Terminal
44	RESET	I	Reset Signal Input Terminal
45	NC	---	Not Connected
46	VCOM	P	TFT Common Electrode Voltage Input Terminal
47	DITHB	I	Dithering Function Enable Signal Input Terminal
48	VSS	0V	LCM Power Supply Ground Input Terminal
49-50	NC	---	Not Connected

NOTE: NO