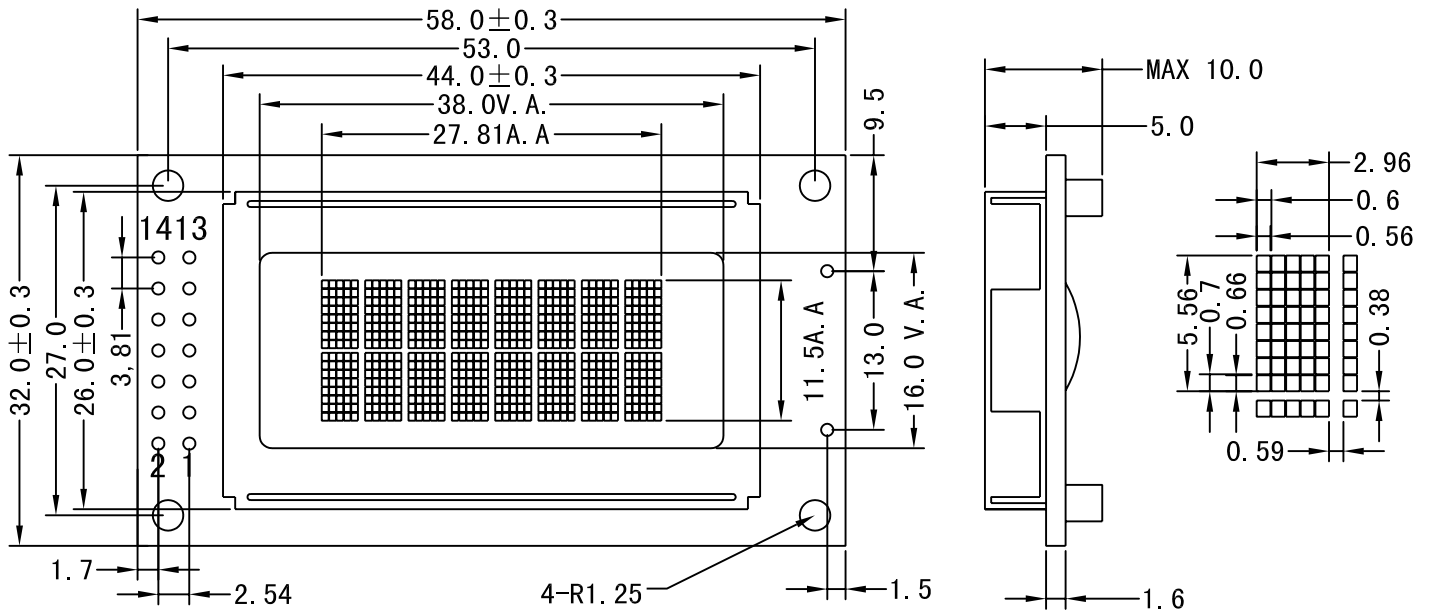


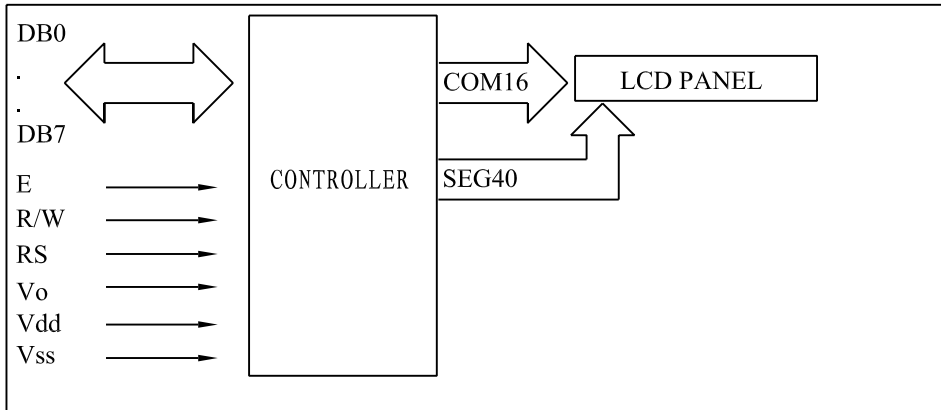
# YXD-0802B

8CHAR X 2LINE STN  
1/16 DUTY, 1/5BIAS

## EXTERNAL DIMENSIONS



## BLOCK DIAGRAM



## PIN CONFIGURATION

1	2	3	4	5	6	7	8	9	10	11	12	13	14
VSS	VDD	V0	RS	R/W	E	DB7	DB6	DB5	DB4	DB3	DB2	DB1	DB0
0V	5.0V	0V	H/L	H/L	H	H/L							

MECHANICAL DATA		
ITEM	SPECIFICATION	UNIT
Module Size (WxHxD)	58.0x 32.0 x 10.0	mm
Viewing Area (WxH)	38.0 x 16.0	mm
Character Font (WxH)	5 x 8	dots
Character Size (WxH)	2.96 x 5.56	mm
Character Pitch (WxH)	3.55 x 5.94	mm
Dot Size (WxH)	0.56 x 0.66	mm

ABSOLUTE MAXIMUM RATINGS				
ITEM	SYMBOL	MIN	MAX	UNIT
Supply Voltage Logic	Vdd-Vss	-0.3	7.0	V
Supply Voltage Driver	Vdd-V0	-0.3	13.5	V
Input Voltage	Vi	VSS	VDD	V
Operating Temperature	Ta	0	50	°C
Storage Temperature	Tstg	-20	60	°C